

**REAL-EL**  
**USER MANUAL**



**WIRELESS STEREO HEADPHONES  
WITH MICROPHONE  
GD-860**

## ***Congratulations on your purchase of the REAL-EL Wireless stereo headphones with microphone!***

### **COPYRIGHT**

© 2022. ENEL GROUP OU.

This Manual and information contained in are copyrighted. All rights reserved.

### **TRADEMARKS**

All trademarks are the property of their legal holders.

### **APPLICATION**

Wireless stereo headphones with a microphone **REAL-EL GD-860** are designed for operation with compatible systems (PC, notebooks and other mobile devices\*) by data transmission via Bluetooth protocol. This enables to connect wireless headphones to compatible devices.

### **PACKAGE CONTENTS**

- Wireless stereo headphones with microphone – 1 ps.
- USB power cable to micro USB – 1 ps.
- Audio cable Ø 3.5 - 3.5 mm mini-jack – 1 ps.
- User manual – 1 ps.
- Warranty card – 1 ps.

### **SAFETY PRECAUTIONS**

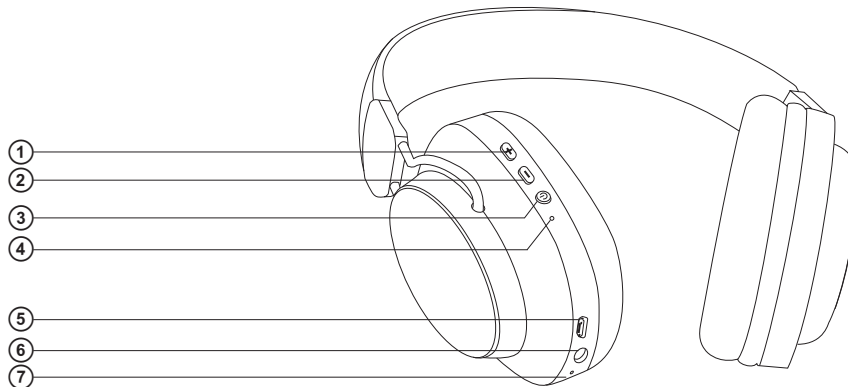
- Don't use the stereo headphones while driving.
- Don't use the stereo headphones at high volume for a long time, as this may cause hearing impairment.

### **SPECIAL FEATURES**

- Neodymium capsule
- Wired connection by mini-jack 3.5 mm
- Built-in microphone for conversations and voice assistant
- Control volume and tracks
- Management of phone calls

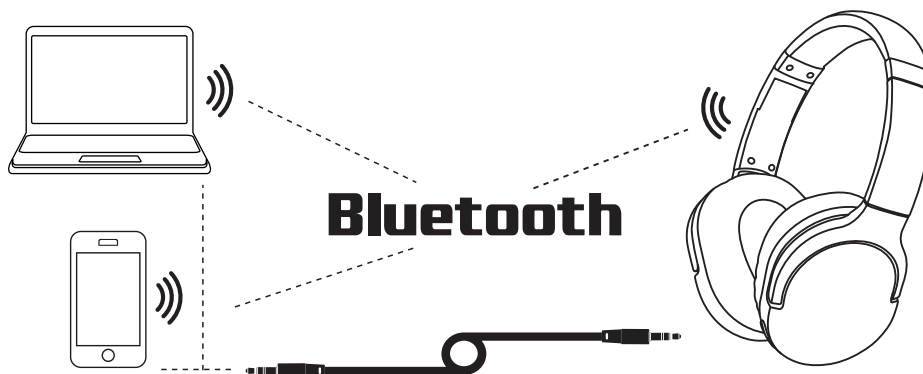
---

\* *On condition that they support Bluetooth technology.*



### CONTROL PANEL DESCRIPTION

- ① Volume level increase button / Next track
- ② Volume level decrease button / Previous track
- ③ Headphones ON/OFF button; Playback / Pause; Phone call acceptance; Call control button; Press the button twice to activate voice assistant
- ④ LED indicator
- ⑤ Micro USB port for charging
- ⑥ 3.5mm audio cable connector
- ⑦ Microphone



### CONNECTION AND OPERATION

The battery must be fully charged before use. To switch the headset on or off, press and hold ③. To transmit a signal using Bluetooth, you need to establish a connection with the signal source. To do this, switch on the headphones without releasing the button ③, wait until the search mode starts, then the indicator ④ will alternate between blue and red. At the audio signal source, select the search mode for Bluetooth devices. The screen will display the name of the model «GD-860» to which you should connect.

**SPECIFICATION**

Membrane	Ø 40 mm
Impedance	32 Ohm
Sensitivity	93 ± 3 dB
Frequency response	20–20 000 Hz
Connector type	Bluetooth 5.0 / mini-jack Ø 3.5 mm
Bluetooth supported profiles	V5.0 HFP, A2DP, AVRCP
Radius of operation	up to 10 m
Operation time	up to 20 hours
Power supply: Li-polymer battery	3.7 V \ 250 mAh
USB	micro USB, DC 5 V
Weight	230 g
Microphone	
Sensitivity	–42 ± 3 dB

*Notes:*

- *Technical specifications given in this table are supplemental information and cannot give occasion to claims.*
- *Technical specifications and package contents are subject to change without notice due to the improvement of REAL-EL production.*



Manufacturer: ENEL GROUP OU, Harju maakond, Rae vald, Jüri alevik, Aruküla tee 55a, 75301, Estonia.  
® Registered Trademark of ENEL GROUP OU. Estonia.